

Installation Instructions

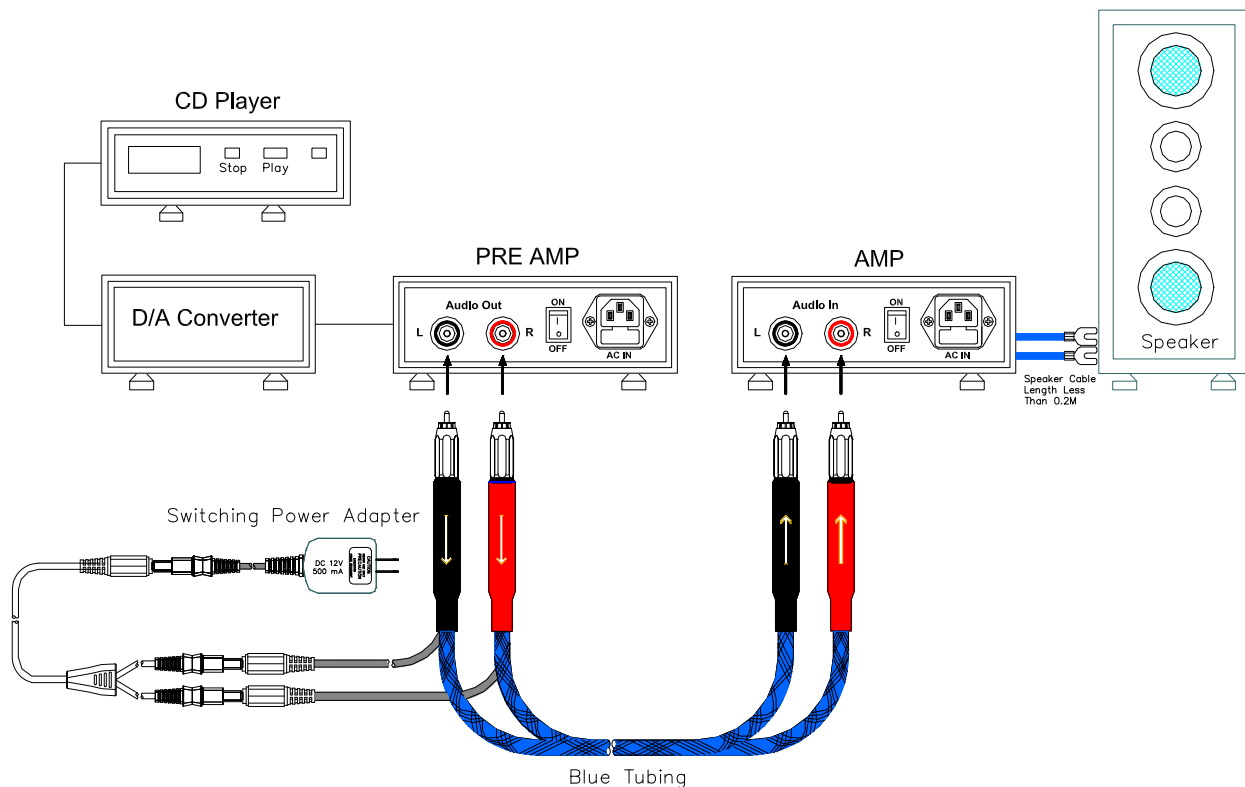
Harmonic Tech - Photon AMP Optimized for Connection from Preamplifier to Amplifier

First: power down your amplifier(s), This is a good audiophile practice, you bring your AMP power down. As Photon AMP Cables work with a 12V DC power source, they may thump the speakers during installation if the amplifiers power was not down.

Install your new blue-jacketed Harmonic Tech Photon AMP Cables as indicated in the illustrations below, taking care to follow the signal direction indicated on the cable jacket. The LAM Photon Transducer power supply "tailback" connectors emerging from the cables' XLR or RCA connectors are located at the preamplifier end.

The tailbacks from each cable are "gathered" into a two-to-one power splitter also known as Y-cable (supplied) and plugged into the power source; either AC-DC switching power adapter or Battery PK IV Li-ion battery pack and charger.

Connection Scheme with an AC-DC Switching Power Adaptor

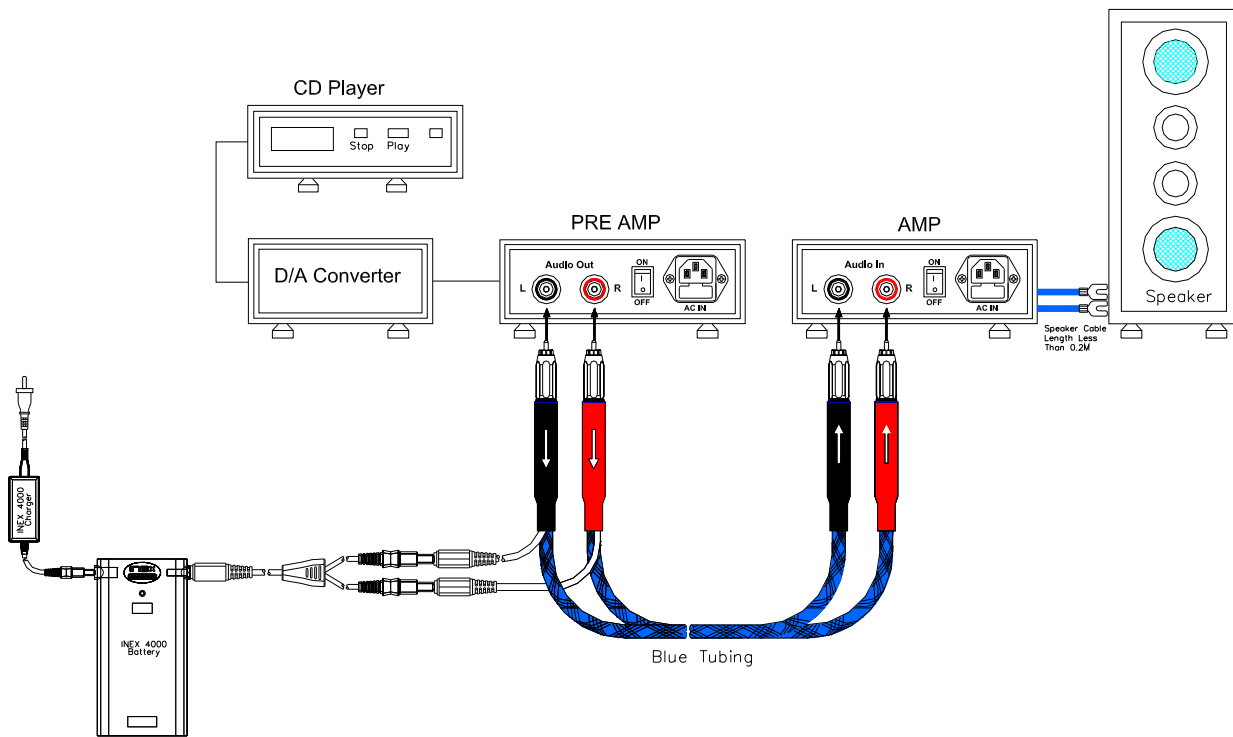


Note: The direction is from SOURCE to DESTINATION, in other words, starting from preamplifier to amplifier.

HARMONIC TECHNOLOGY *Photon AMP*

If you choose the optional battery pack IV and charger -- and we strongly recommend you do -- hook your new Photon AMP Cables in the following way, substituting battery pack IV for the AC-DC switching power adapter and adding a silver Y-cable as necessary.

Connection Scheme for a Battery Pack IV and Charger



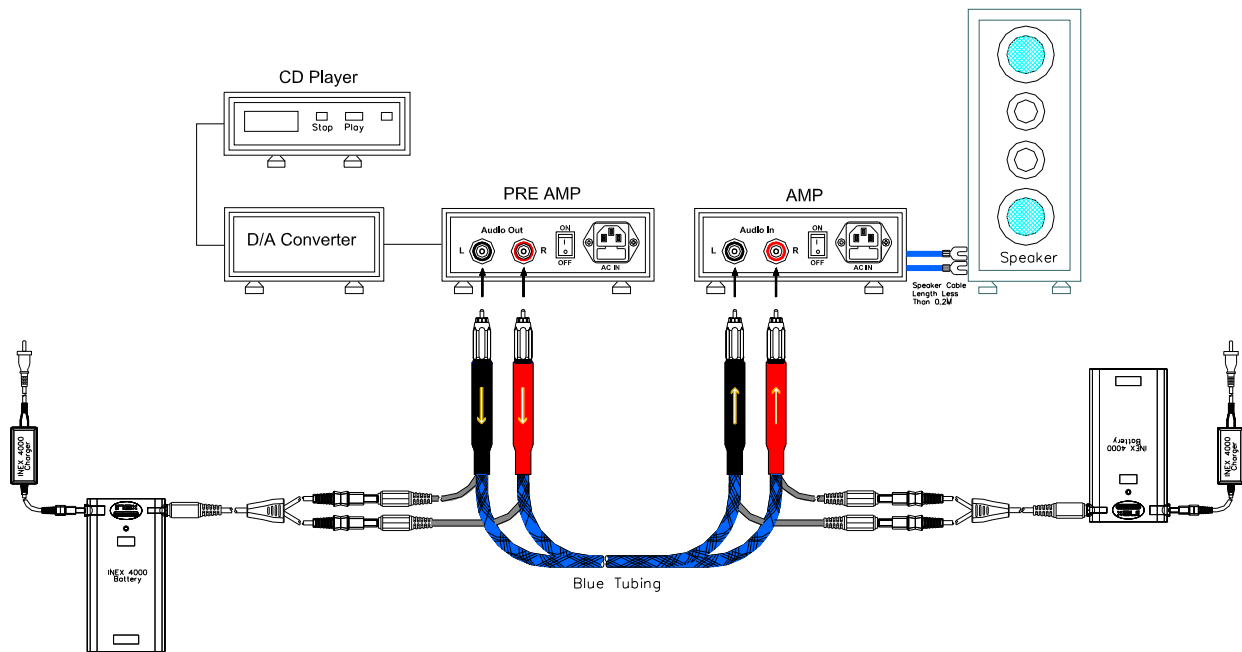
Note: The direction is from SOURCE to DESTINATION, in other words, starting from preamplifier to amplifier.

There is a power supply connection required for each cable. Please check our website for Product Release Notes with tips on the connections of batteries for the best audio performance.

HARMONIC TECHNOLOGY *Photon AMP*

In case of cable length more than 5 meters, the tailbacks are built at both ends of Photon AMP Cables. We strongly recommend you to use INEX4000 Li-ion battery packs. The difference will be day and night. Hook your new Photon AMP Cables in the following way, adding two INEX4000 Li-ion battery packs in the connection.

Connection Scheme for Cable Length More Than 5 Meters with Two Battery Pack IVs



Note: The direction is from SOURCE to DESTINATION, in other words, starting from preamplifier to amplifier.

There is a power supply connection required for each cable. Please check our website for Product Release Notes with tips on the connections of batteries for the best audio performance.